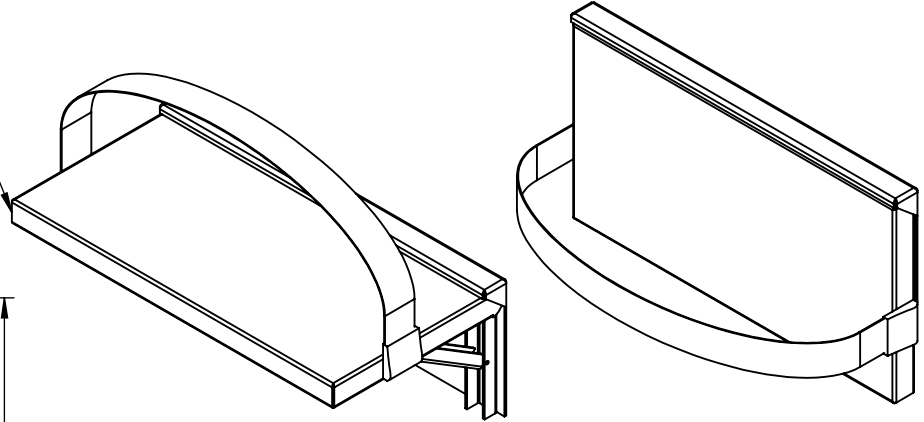
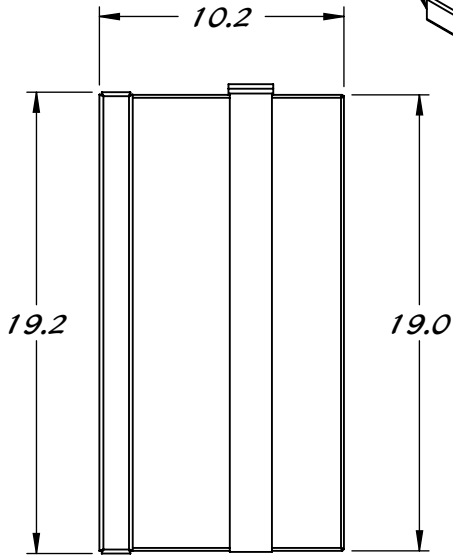


REY0947

FOLD DOWN SHELF WITH STRAP

**STAINLESS STEEL
CONSTRUCTION
#4 FINISH ON SHELF
AND WALL PANEL**



**WEBBING FOR HOLDING MACHINE
ON SHELF, QUICK TIGHTENING
BUCKLE FOR SECURING WEBBING,
CAN BE PERMANENTLY AFFIXED, OR
REMOVABLE**

