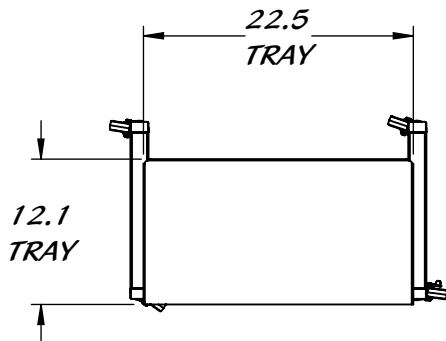


REY1229

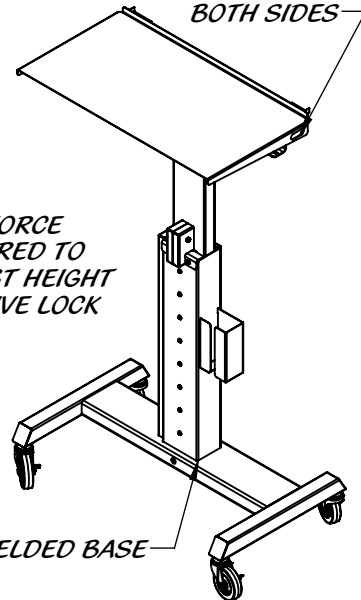
ADJ HEIGHT LAPTOP CART

ALL STAINLESS
STEEL CONSTRUCTION

BRUSHED FINISH



SLOT FOR
COMPUTER
LOCK ON
BOTH SIDES



HEIGHT ADJUSTMENT
RELEASE

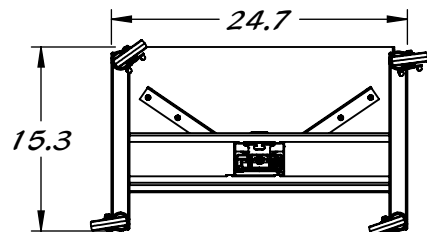
LOW FORCE
REQUIRED TO
ADJUST HEIGHT
POSITIVE LOCK

COMPUTER POWER
PACK HOLDER

42.4
MAX

28.1
MIN

POLYURETHANE WHEEL CASTERS
WITH LOCKING WHEELS



Property of Reytek Corporation.

Use of this information without the prior consent of Reytek Corporation is strictly forbidden.