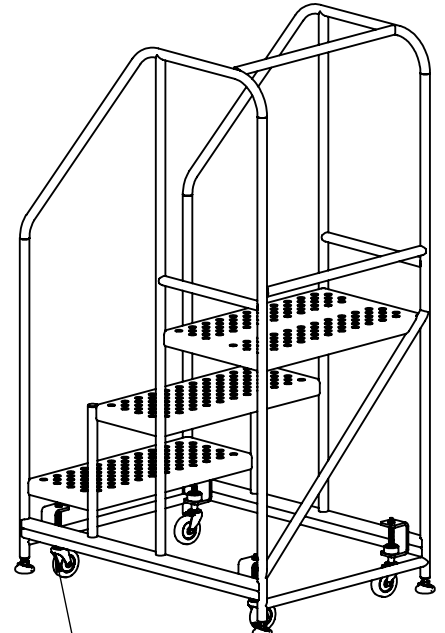
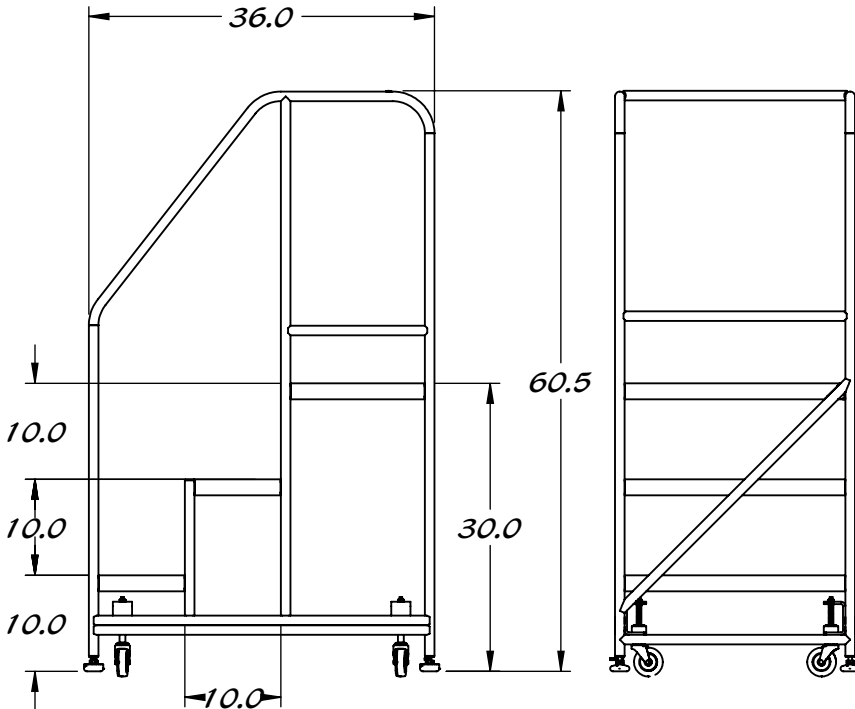
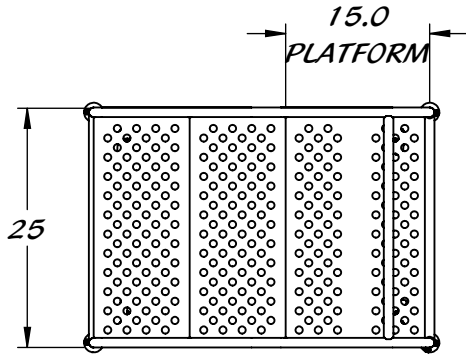


REY1371

ROLLING STEP LADDER

STAINLESS STEEL CONSTRUCTION
EXCEPT CASTERS



FIXED, RIGID FEET

SPRING LOADED CASTERS

This text identifies the fixed, rigid feet and the spring-loaded casters of the rolling step ladder.

WEIGHT CAPACITY 350 LBS

This text indicates the weight capacity of the rolling step ladder, which is 350 lbs.