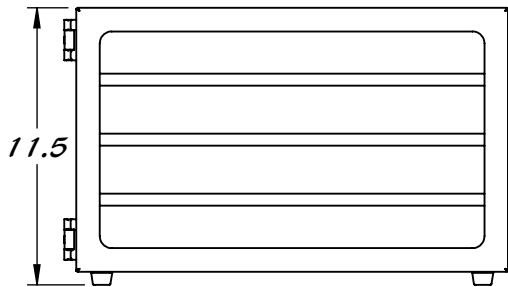
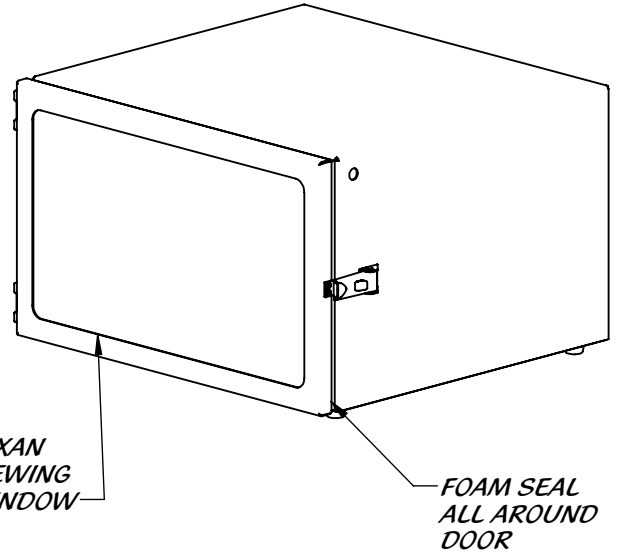
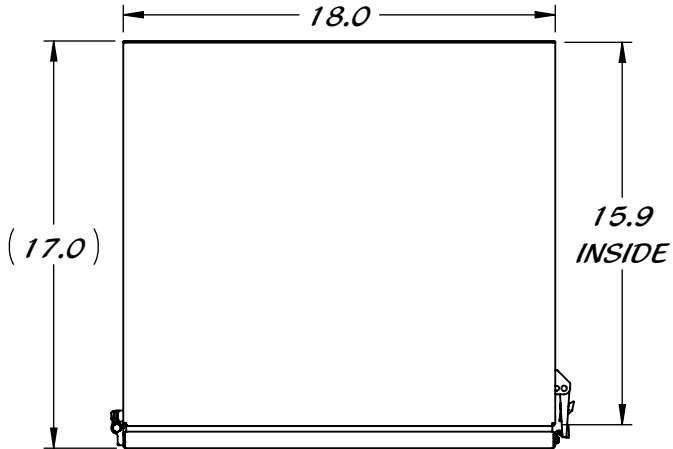
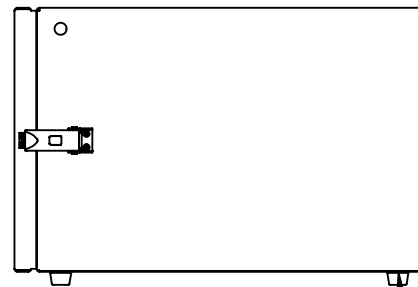


STAINLESS STEEL CONSTRUCTION



COMPRESSION
DRAW LATCH



RUBBER FEET