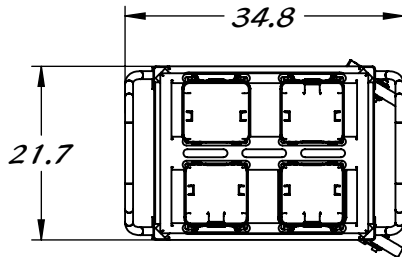
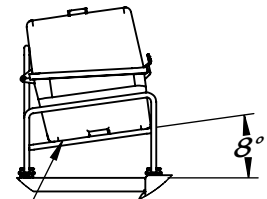
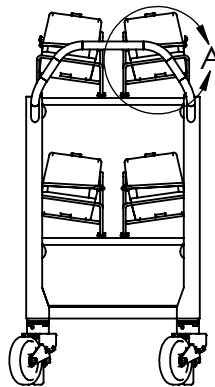
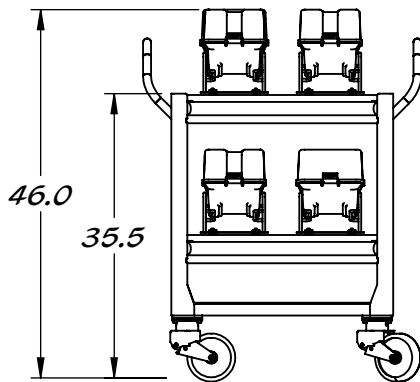
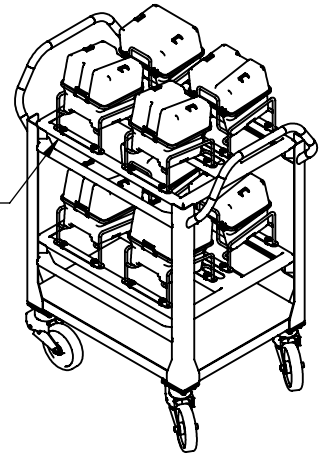


STAINLESS STEEL  
CONSTRUCTION



VIBRATION ISOLATED  
FRAME, WITH TWO  
INDEPENDENT DAMPENING  
COMPONENTS



LOT BOX CRADLE  
CAN HOLD  
MULTIPLE  
LOT BOX SIZES

OPTIONAL SHOCK  
ABSORBING CASTERS  
AVAILABLE