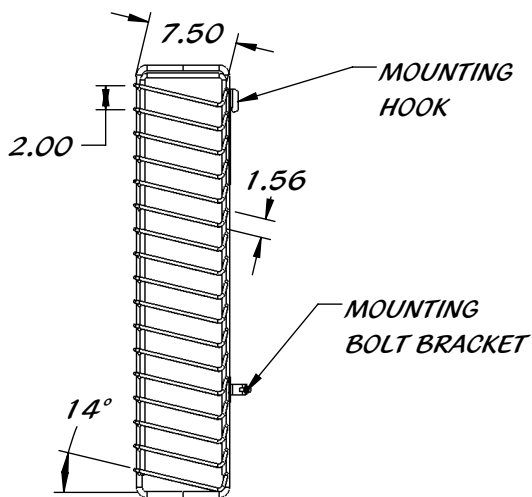
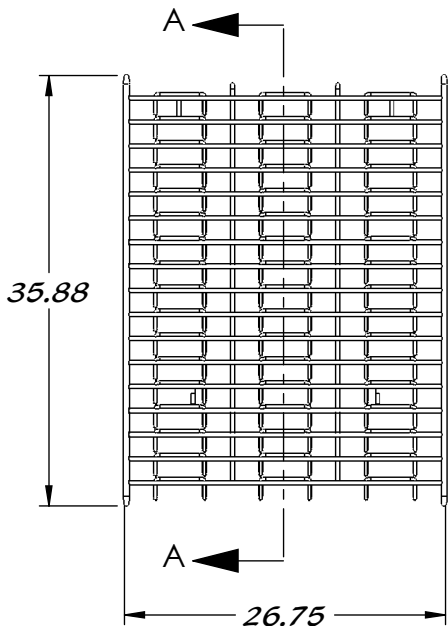
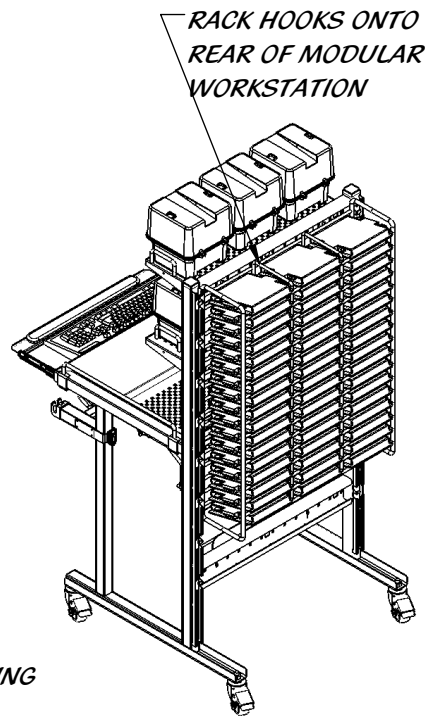
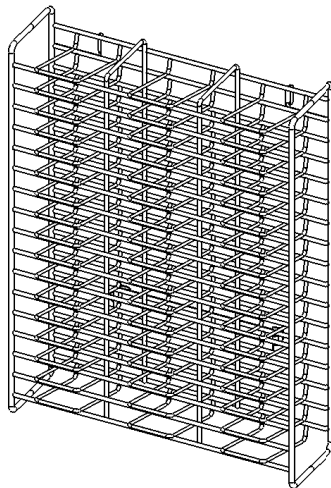
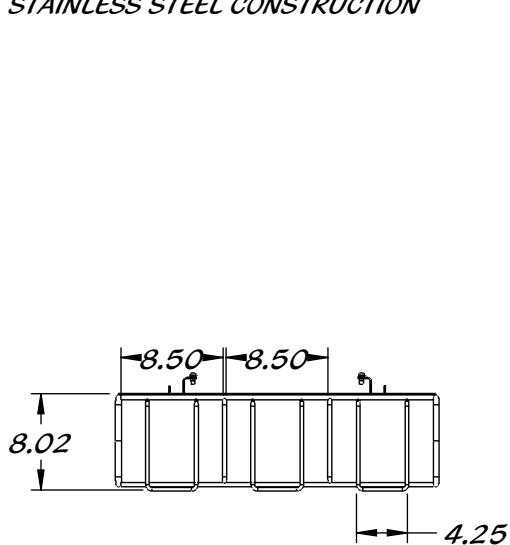


REY1778

RETICLE RACK FOR MW

STAINLESS STEEL CONSTRUCTION



SECTION A-A

