

REY1782

ANTI-VIBE CART

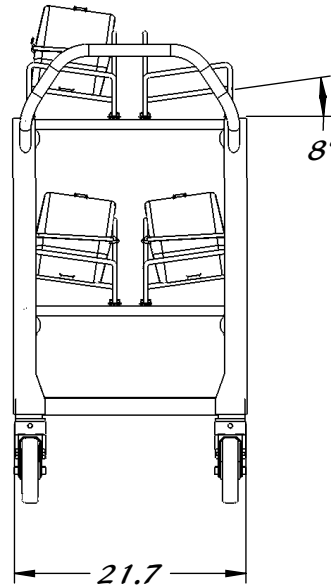
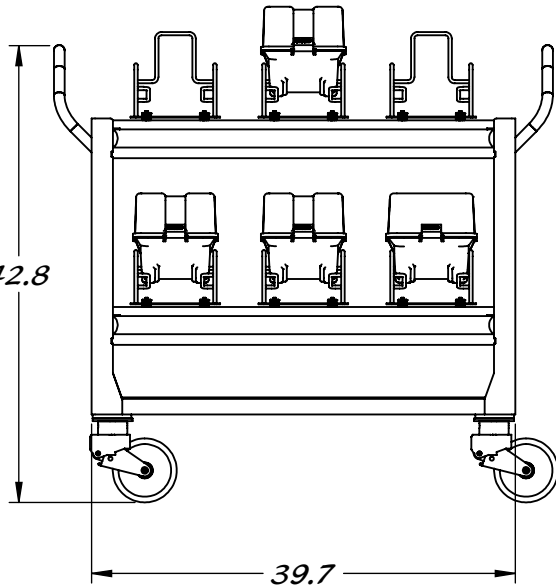
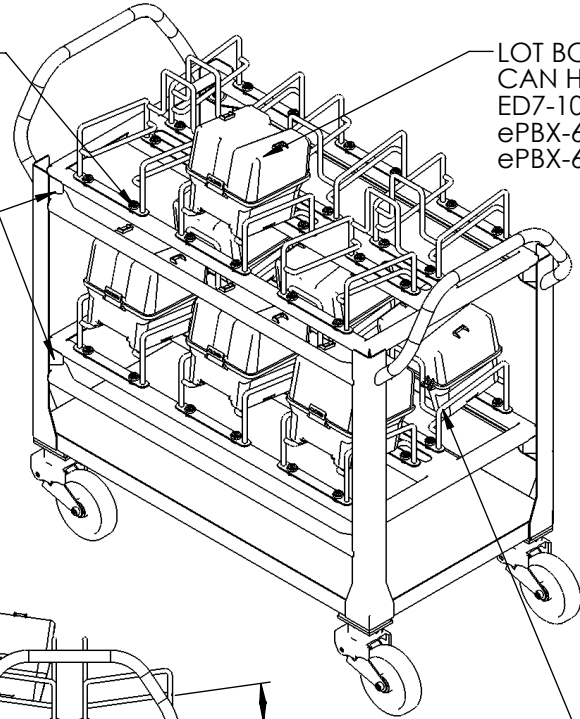
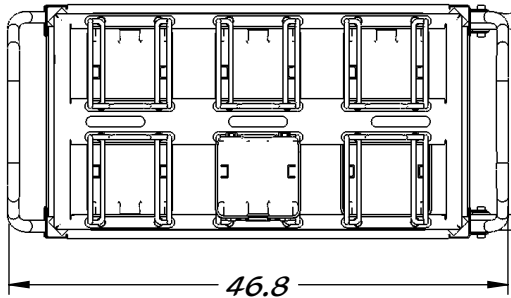
HOLDS 12 LOT BOXES

STAINLESS STEEL CONSTRUCTION

LOT BOX HOLDERS
USE SECONDARY
VIBRATION DAMPING

PRIMARY VIBRATION
DAMPING ON LOWER
AND UPPER SHELF
ISOLATE EACH SHELF
FROM CART FRAME

LOT BOX HOLDERS
CAN HOLD 3 SIZES
ED7-101
ePBX-6-150
ePBX-6-159



REAR SUPPORT
AS WELL AS LEFT-RIGHT
SUPPORT FOR
150 & 159 BOXES