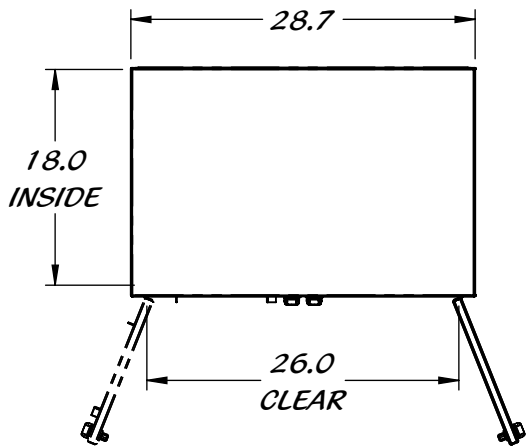


REY1918

HEAVY DUTY WALL CABINET



BACK PANEL MADE FROM 12GA
STAINLESS FOR MOUNTING TO WALL

TEMPERED GLASS
WINDOWS IN DOORS

