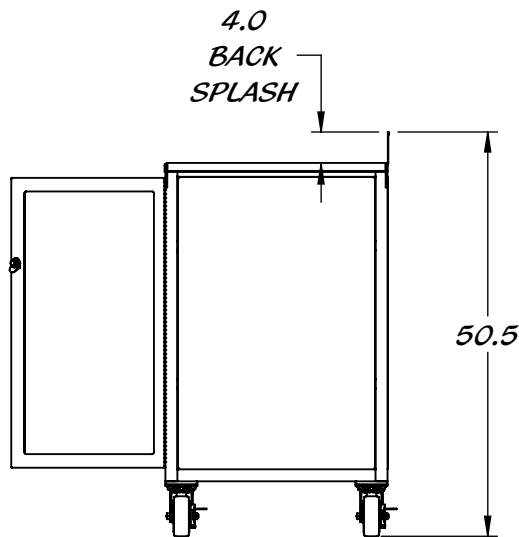
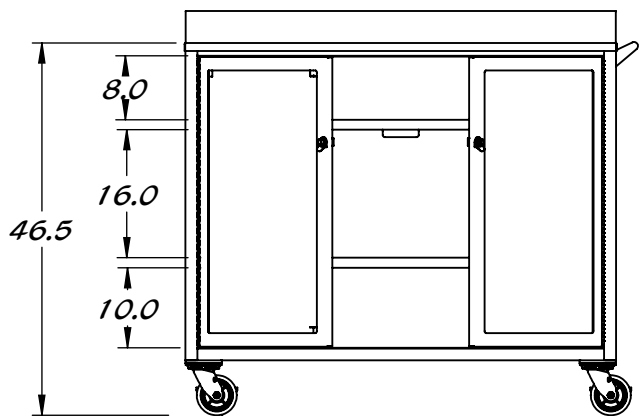
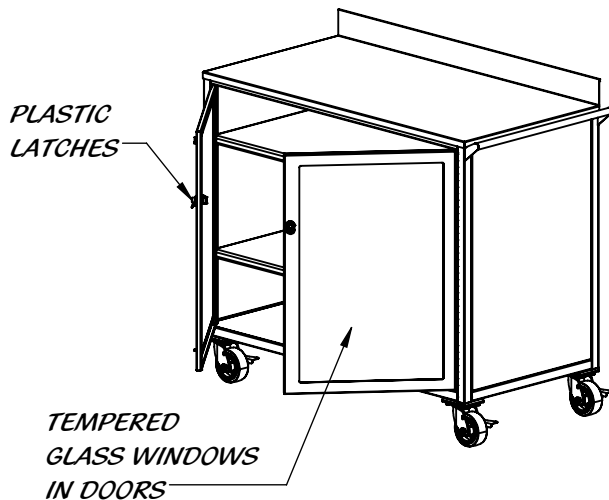
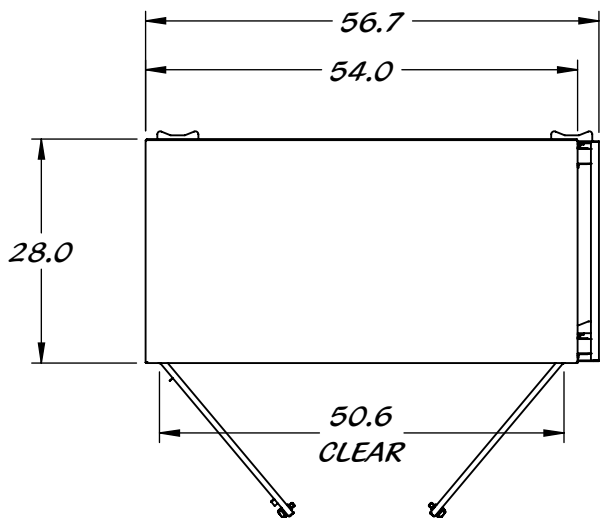


# REY2021

# 3-SHELF CART W/ DOORS

304 STAINLESS STEEL CONSTRUCTION



Ø 5.0" SWIVEL LOCKING CASTERS  
W/ POLYURETHANE WHEELS